

Super
U SERIES

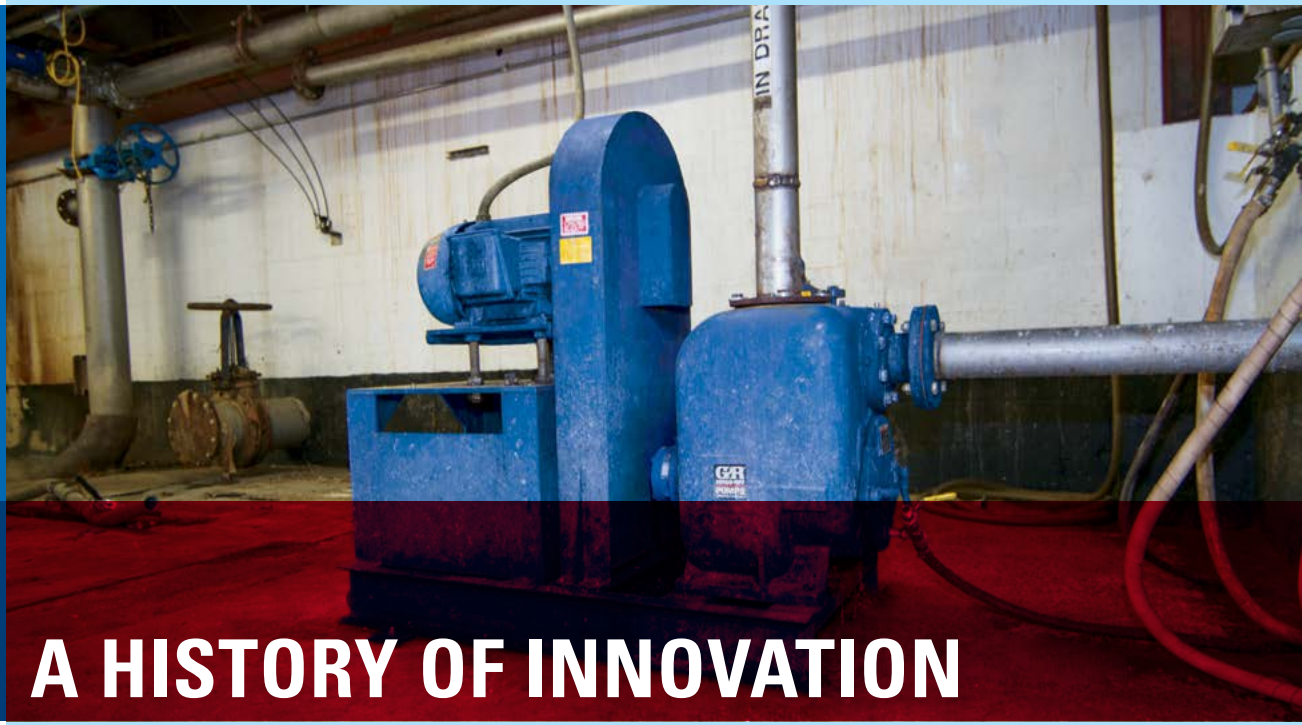


SUPER U SERIES®

Self-Priming, High Efficiency Pumps

GR
GORMAN-RUPP
PUMPS

The Pump People®



A HISTORY OF INNOVATION

Gorman-Rupp has been revolutionizing the pumping industry since 1933. Many of the innovations introduced by Gorman-Rupp over the years have become industry standards.

More than ever, we continue to update our factories, processes, research and development, and engineering to ensure that our pumps and systems are among the most reliable and efficient in the world. One of our most successful and innovative lines of pumps has been our self-priming models.

Revolutionary improvements were made in 1963 with the introduction of our T Series® self-priming pumps. Since then, continuous improvements to head, flow and efficiency have been made.

In 1981 we introduced our U Series® line of high-efficiency, self-priming pumps. And in 2004, Gorman-Rupp introduced the Super U Series® with added maintenance features to enhance serviceability.

Today, Gorman-Rupp self-priming pumps are the world's leading choice for waste handling applications in industries such as steel and paper mills, mining operations, food processing plants, power plants, automotive factories, tanneries and wineries. They are also a pump of choice in sewage-handling applications worldwide.

Gorman-Rupp's commitment to our original philosophy of innovation, continuous improvement, unparalleled quality and customer service continues to set us apart from others.



Super U Series® self-priming centrifugal pumps are reliable, efficient and ideal for water reuse stations and a variety of other industrial/municipal applications.

OUR PUMPS DELIVER DECADES OF PERFORMANCE AND VALUE

Gorman-Rupp is committed to meeting your fluid-handling requirements long after installation. The quality manufacturing and testing that go into every Super U Series® pump guarantee long-lasting, trouble-free operation. And we provide a five-year warranty and fast parts service to back up our products and ensure your peace of mind.



Value

Super U Series® pumps boast some of the lowest lifecycle costs in the industry. Because of the quality manufacturing and testing that goes into every Gorman-Rupp product, you benefit from minimal service interruptions and some of the lowest maintenance in the industry. Gorman-Rupp delivers the best ROI by ensuring low operating costs for decades.

Parts And Service

When you need a replacement part for your Super U Series, you'll have it fast. With tens of thousands of genuine Gorman-Rupp parts and pumps at our disposal, we fill and ship 99% of parts orders within 24 hours. Should your Super U Series pump ever require service, our worldwide network of factory-trained distributors is ready to quickly respond to your needs. With just one number to call for parts and service, it's easy and convenient to keep your equipment performing as it should.

Peace Of Mind

At Gorman-Rupp, we don't just say our pumps are reliable. Unlike standard 90-day or one-year warranties, we guarantee every part and working component of a Super U Series pump for a full five years. With Gorman-Rupp, reliable performance is always guaranteed.

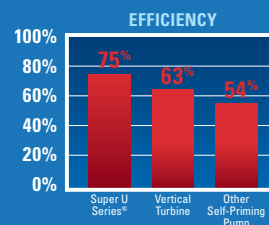


GORMAN-RUPP SUPER U SERIES®

The Most Efficient Self-Priming, Solids-Handling Pumps On The Market

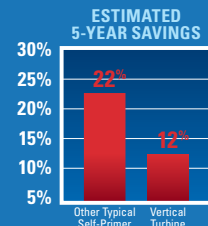
Up To 75% Efficiency

Super U Series® pumps are the most efficient self-priming, solids-handling pumps available. Their unique volute casing design minimizes friction loss and drag. The multi-vane, open impeller is designed for high efficiency, yet can still handle solids up to 1-1/4" (31 mm) in diameter. Super U Series pumps not only deliver high efficiencies (up to 75%), they also perform efficiently across a broad operating range. Varying loads, which cause a pump to operate left or right of its best efficiency point on the operating curve, will reduce operating efficiency by only a very small percentage. The patented external shimless adjustment makes it easy to keep the pump in peak operating condition. Each size pump is available in two different design variations, A or B versions.



Easy To Maintain

Super U Series pumps are designed with ease of service in mind. Because they are self-priming, they can be mounted above the liquid being pumped. Should service or maintenance be required, it can be easily performed using common hand tools without disconnecting piping. With no elongated shafts present, routine service can be performed in confined work spaces.



All Super U Series pumps can be coupled to a standard NEMA motor, which means there's no waiting for special motor parts.

The 5-year savings generated after installing a Super U Series® high efficiency pump.

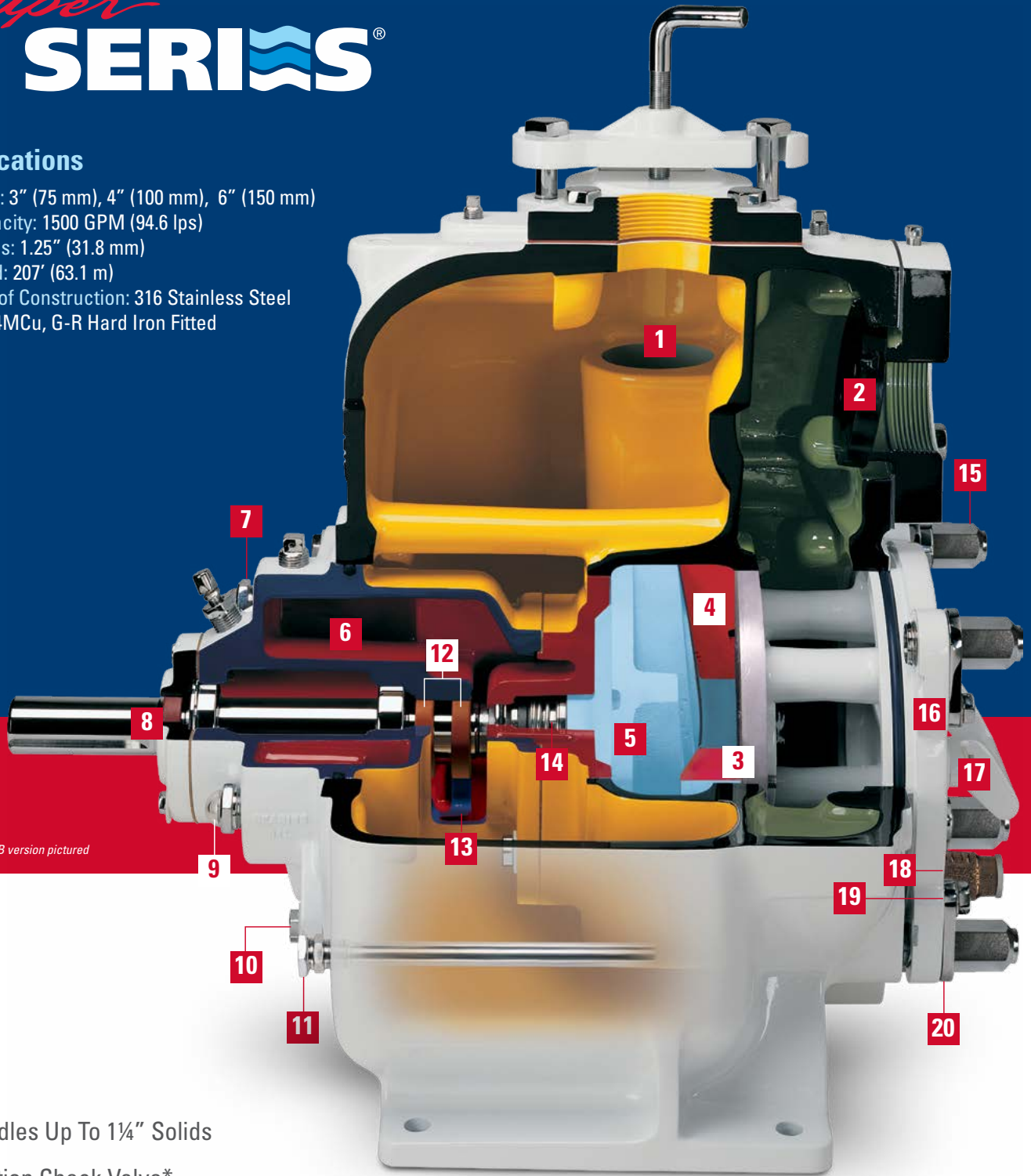


All Super U Series® pumps come standard with a five-year warranty.

Super U SERIES®

Specifications

Pump Size: 3" (75 mm), 4" (100 mm), 6" (150 mm)
 Max. Capacity: 1500 GPM (94.6 lps)
 Max. Solids: 1.25" (31.8 mm)
 Max. Head: 207' (63.1 m)
 Materials of Construction: 316 Stainless Steel Fitted, CD4MCu, G-R Hard Iron Fitted



Super U Series® B version pictured

01 | Handles Up To 1¼" Solids

02 | Suction Check Valve*

03 | Inner O-Ring Seal

04 | Replaceable Wearplate

05 | Impeller

06 | Oversized Seal Oil Chamber

07 | Seal Oil Monitor

08 | Removable Rotating Assembly

09 | Bearing Oil Monitor

10 | Pusher Bolt Capability

11 | Optional Casing Heater

12 | Double Lip Seals

13 | Atmospheric Bearing Isolation

14 | Cartridge Mechanical Seal

15 | Easy-Off Coverplate Nuts

16 | Removable Coverplate

17 | Easy-Grip Handle

18 | Pressure Relief Valve

19 | Pusher Bolt Capability

20 | Shimless Coverplate Adjustment

*B version only

SERVICE & MAINTENANCE WITHOUT DISCONNECTING PIPING

Gorman-Rupp's patented external shimless adjustment design doubles the life of the impeller and wearplate.

The external shimless coverplate allows for easy adjustment of the clearance between the impeller and the wearplate. This process eliminates the need to realign belts, couplings or other drive components. In turn, the working height of the seal assembly and impeller back clearance are not disturbed. The unique collar and adjusting screw allow for incremental adjustments of the wearplate clearance with the turn of a hand.

Once adjustments have been made, the collar locks in place, maintaining the clearance setting even if the coverplate is removed. This design feature doubles the life of the impeller and wearplate and keeps the pump operating at maximum efficiency.



Multi-Vane Solids-Handling Impeller

The multi-vane, open impeller is designed for high efficiency. Constructed of ductile iron, it will handle solids up to 1¼" (31 mm) diameter.



Gorman-Rupp Cartridge Seal

Exclusive double-floating, self-aligning, oil lubricated mechanical cartridge seal with stationary and rotating face of silicon carbide is specifically designed for rugged/abrasive service. Consult the factory for additional seal configurations.



Removable Rotating Assembly

Inspection of the pump shaft or bearings is easily accomplished without disturbing the pump casing or piping by removing the rotating assembly. Simply remove four bolts from the back (or front on 6" models) of the pump and the entire assembly slides out.



Dual Bearing Protection

Atmospheric isolation of the seal cavity provides positive protection of the bearings. This unique design also allows for external monitoring.



Easily Removable Coverplate

If service is required, the removable coverplate with easy-grip handle and pusher bolt capability provides quick and easy access to the interior of the pump (B version only). Should a clog occur, the obstruction can be easily removed and the pump returned to service in minutes. Inspection/service to the impeller, seal and replaceable wearplate can also be accessed through the coverplate opening.



GORMAN-RUPP SUPER U SERIES®

The Right Pump For The Job

The A Version of the Super U Series® offers the highest efficiency because the liquid enters directly into the eye of the impeller. A victraulic collar couples the removable suction spool flange to the removable coverplate for easy access to the pump's interior for service.

The B Version is dimensionally interchangeable (suction and discharge dimensions) with Gorman-Rupp's Super T Series® pump models. The removable coverplate with easy-grip handle provides quick and easy access to the pump's interior for service or routine maintenance.

Basic Pump



Super U Series® A Version
Size: 3" (75 mm)
Shown with optional flanges



Super U Series® A Version
Size: 4" (100 mm)
Shown with optional flanges



Super U Series® A Version
Size: 6" (150 mm)
Shown with optional flanges



Super U Series® B Version
Size: 3" (75 mm)
Shown with optional flanges



Super U Series® B Version
Size: 4" (100 mm)
Shown with optional flanges



Super U Series® B Version
Size: 6" (150 mm)
Shown with optional flanges

Drive Variations

Gorman-Rupp Super U Series® pumps are available as basic units, ready for connection to power or flex-coupled or v-belt driven by an electric motor.

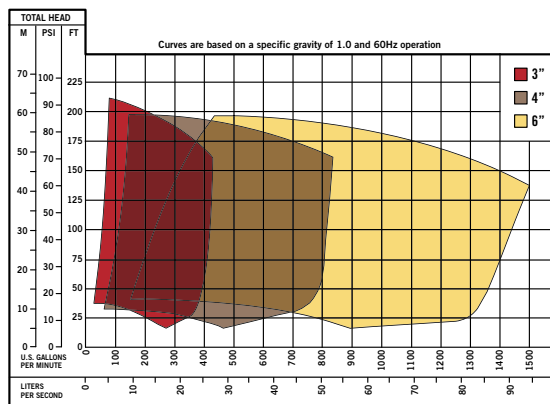
When space is limited, flex-coupling

often solves confined area issues. V-belt driven configurations offer the advantage of flexibility in speed selection and usually provides maximum operating speed for

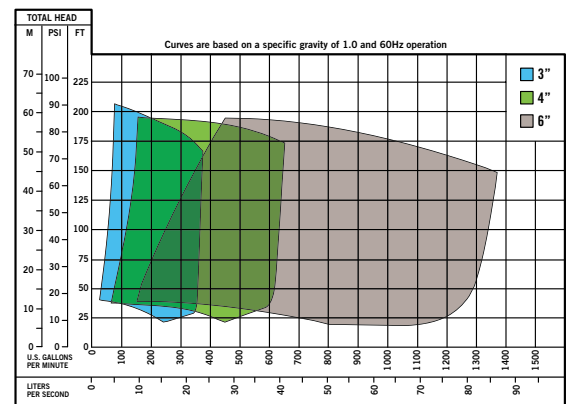
required head and capacity without needing to trim the impeller. Various belt and sheave options are available.

Pump Performance Data

A Version



B Version



NOTE: Consult factory for other performance conditions.

FLUID-HANDLING EQUIPMENT DESIGNED WITH YOUR NEEDS IN MIND



★ **Manufacturing Facilities**
● **Distribution Centers**

Gorman-Rupp USA
Mansfield, Ohio, USA

Gorman-Rupp Canada
St. Thomas, Ontario, Canada

Gorman-Rupp Europe
Culemborg, Netherlands
Namur, Belgium

Gorman-Rupp Africa
Cape Town, South Africa
Durban, South Africa
Johannesburg, South Africa (Headquarters)

Distribution Centers
Dubai, United Arab Emirates
Grand Prairie, Texas, USA
Culemborg, Netherlands

Engineering and manufacturing superiority has been the hallmark of Gorman-Rupp since our inception in 1933. Today we bring our products to life in some of the most efficient, modern and state-of-the-art manufacturing facilities in the world. Gorman-Rupp has a selection of nearly 3,000 pump models, and our world-class team of distributors has worked closely with thousands of end users around the world. We have the proven expertise and the resources to specify, manufacture, test and service your pump, and to ensure reliable performance for the long haul.



GORMAN-RUPP PUMPS

P.O. BOX 1217
MANSFIELD, OHIO 44901-1217 | USA
TEL: 419.755.1011 | FAX: 419.755.1251

GRPUMPS.COM



The Pump People®