

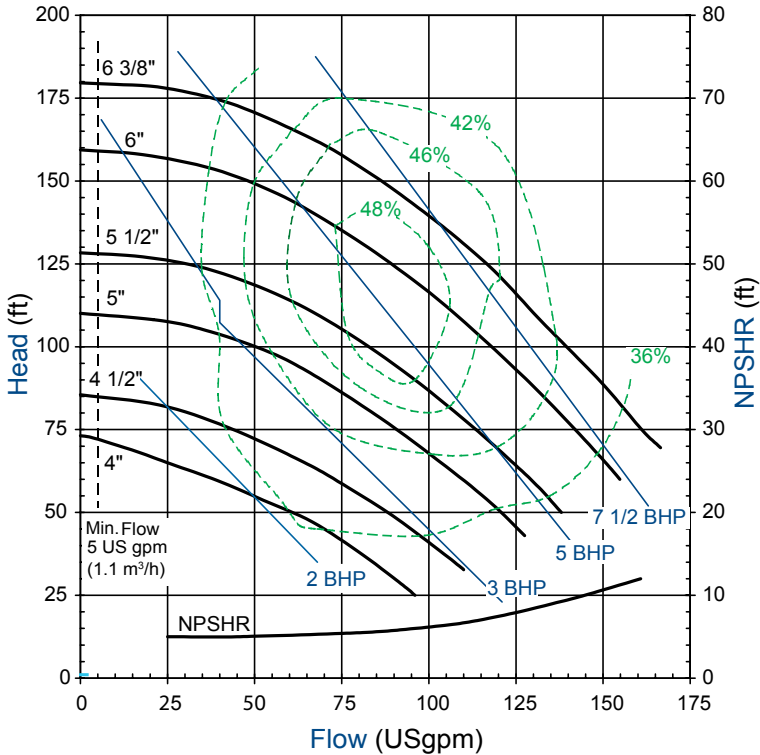


UC SERIES

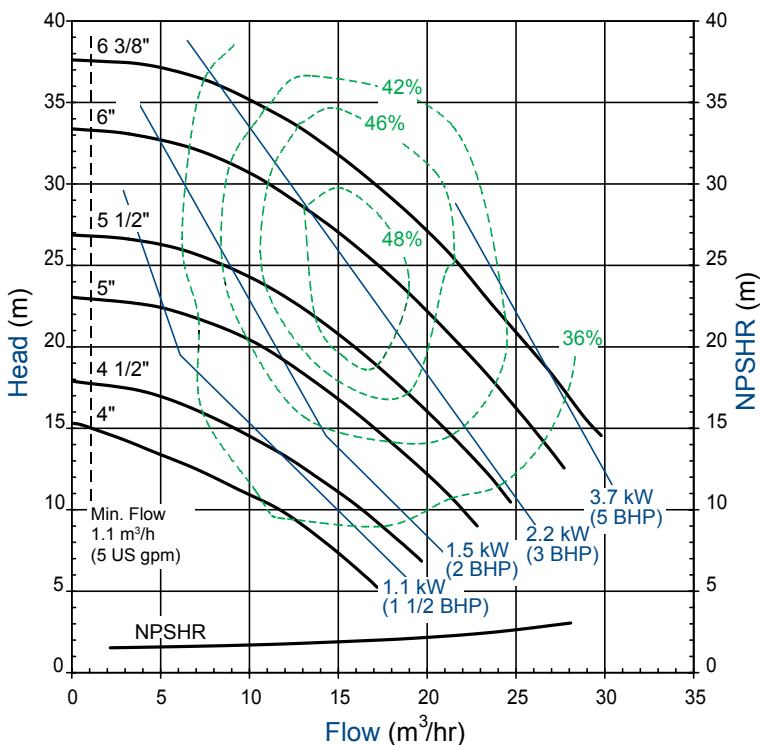
MODEL UC1516 (AA - 1-1/2X1X6)



UC1516 PERFORMANCE 3500 RPM, 60 Hz



UC1516 PERFORMANCE 2900 RPM, 50 Hz



FEATURES

- Durable, corrosion-resistant Tefzel® lined ductile iron casing
- Casing meets ANSI B73.1m & B73.3 for foot and flange location
- Powerful neodymium magnets for dependable, leak-free operation
- Modified concentric volute reduces radial thrust load
- Rear sealing ring and balance holes balance axial thrust
- Dual bushings provide optimum alignment
- Suction shaft support with integral straightening vanes
- Easy-set measurement free outer drive
- Back pull-out design
- Exclusive vapor protection package to protect outer magnetic drive and motor face from corrosive fumes
- Replaceable 2-piece impeller and drive hub
- Run dry capability with carbon or Dri-Coat SiC bushing
- Casing drain standard
- Specific gravity over 1.8
- Accepts standard NEMA 143-286 or IEC 90-160 motor frames
- ANSI or ISO flange mountable
- ATEX certified models available



TYPICAL APPLICATIONS

- Paper Mills
- Water treatment
- Plating & metal finishing
- Chemical manufacturing, blending, distribution
- Fume scrubbers
- Pharmaceuticals
- Truck loading/unloading
- Metals manufacturing

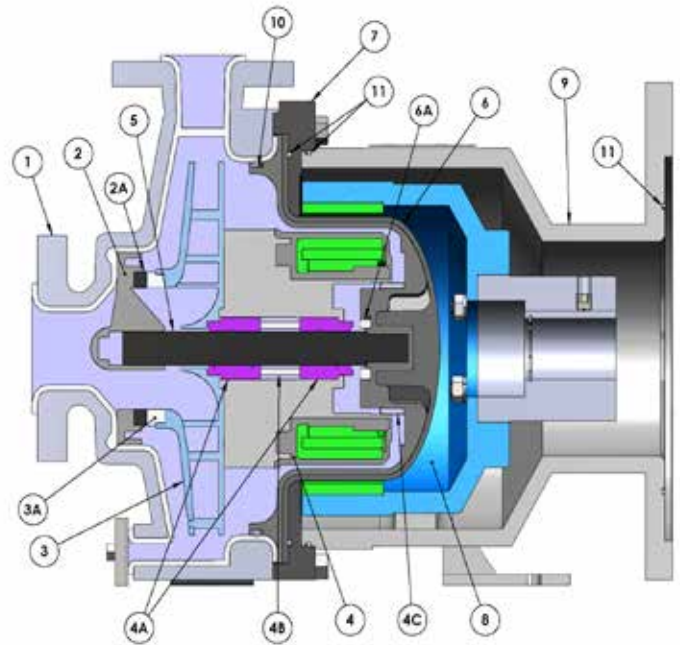
TYPICAL CHEMICALS

- Sodium hydroxide
- Sulfuric acid
- Hydrochloric acid
- Sodium hypochlorite
- Plating solutions
- Corrosive blends
- Solvents
- Wastewater

*Tefzel® Fluoropolymer Resin is a registered trademark of DuPont

UC SERIES

| Item No. | Description | Construction |
|----------|--------------------------|--|
| 1 | Casing | Cast ductile iron, DuPont Tefzel® (ETFE) lined |
| 2 | Shaft support | Carbon fiber filled ETFE |
| 2A | Front thrust ring | Alpha sintered silicon carbide |
| 3 | Impeller | Carbon fiber filled ETFE |
| 3A | Impeller thrust washer | Fluorosint® or alpha sintered silicon carbide |
| 4 | Inner drive | Neodymium iron boron magnets encapsulated in ETFE |
| 4A | Bushing | Alpha sintered silicon carbide, Dri-Coat silicon carbide, or carbon |
| 4B | Bushing spacer | PTFE |
| 4C | Rear sealing ring | GF molybdenum disulfide-filled PTFE |
| 5 | Shaft | Alpha sintered silicon carbide |
| 6 | Barrier | Molded carbon fiber filled ETFE liner with woven glass reinforced vinyl ester external shell |
| 6A | Barrier thrust ring | High purity alumina ceramic |
| 7 | Clamp ring | Steel |
| 8 | Outer drive magnet | Nickel-plated neodymium iron boron magnets/steel |
| 9 | Motor adapter | Ductile iron |
| 10 | O-ring | FKM, EPDM, Kalrez®, Simriz®, or Aflas® |
| 11 | Vapor Protection O-Rings | Buna |



Kalrez® is a registered trademark of DuPont Performance Elastomers
 Simriz® Perfluoroelastomer is a registered trademark of Simrit® division of Freudenberg-NOK.
 Aflas® is a trademark of the Asahi Glass Co., Ltd.
 Fluorosint® is a registered trademark of Quadrant DSM Engineering Plastic Products.

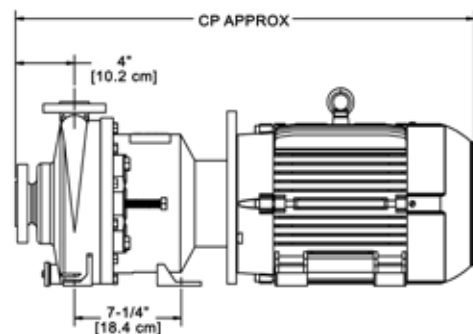
SPECIFICATIONS

| HP (kW) | Impeller Diameter | Suction | Discharge | Max. Flow 3500 rpm | | Max. Head 3500 rpm | | Max. Working Pressure psi (Bar) | Max. Viscosity cP | Max. Specific Gravity | Max. Temp. °F (°C) |
|---------------------|-------------------------|--------------|-----------|--------------------|--------------------|--------------------|----|---------------------------------|-------------------|-----------------------|--------------------|
| | in (cm) | in (cm) | in (cm) | gpm | m ³ /hr | ft. | m | | | | |
| 3 - 30 (1.1 - 22.0) | 4 - 6 3/8 (10.2 - 16.2) | 1 1/2 (3.81) | 1 (2.54) | 167 | 37.9 | 180 | 55 | 175 (12) | 200 | 1.8 | 250 (121) |

Note: Impeller trims available every 1/8" (.32 cm) between the smallest and largest diameters.

DIMENSIONS

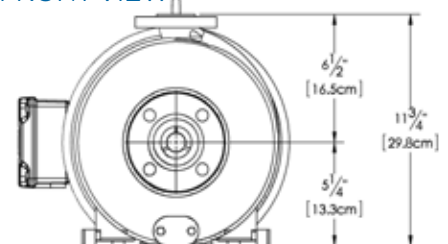
SIDE VIEW



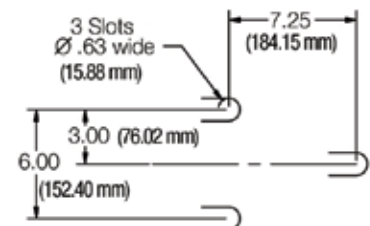
ANSI 150# & ISO/DIN PN20 flanges are in compliance with bolting dimensions only.

| Motor Frames | CP (approx.) | |
|--------------|--------------|------|
| | (in) | (cm) |
| NEMA | | |
| 143-145TC | 23-17/32 | 59.8 |
| 182/184TC | 28-3/32 | 71.3 |
| 213/215TC | 31-5/32 | 79.1 |
| 254/256TC | 34-9/32 | 81.7 |
| 284/286TSC | 36-11/16 | 93.2 |
| IEC | | |
| 90 | 23-19/32 | 59.9 |
| 100/112 | 25-1/32 | 63.6 |
| 132 | 31-3/32 | 79 |
| 160 | 34-27/32 | 88.5 |

FRONT VIEW



BOTTOM VIEW



finishthompson.com

FINISH THOMPSON INC. - UNITED STATES

921 Greengarden Road | Erie, PA 16501
 800.934.9384 | ph 814.455.4478 | fx 814.455.8518
 email fti@finishthompson.com

FINISH THOMPSON INC. - GERMANY

Otto-Hahn-Strasse 16 | Maintal, D-63477 Germany
 49 (0)6181-90878-0 | fx 49 (0)6181-90878-18
 email fti@finishthompson.com