

Self-Cleaning
Ball Valve

Lubrication Free
Air Motor

Unique Main Seal
Eliminates Shaft
Replacement

Longer Life
Diaphragm

Pass .71" / 18mm Solids

Yellow Series
General Purpose
Nylon Body- Hytrel Elastomers
ATEX M2 Rating



Red Series - P75BR
FRAS (Fire Retardant
Antistatic) Nylon Body-
Hytrel Elastomers- For
Explosive Environment-
ATEX M1 Rating



Blue Series - P75BB
Polypropylene Body-
Santoprene Elastomers-
For Acids, Caustics,
Chemicals- ATEX
M2 Rating

Other materials are available to suit your specific application

Features

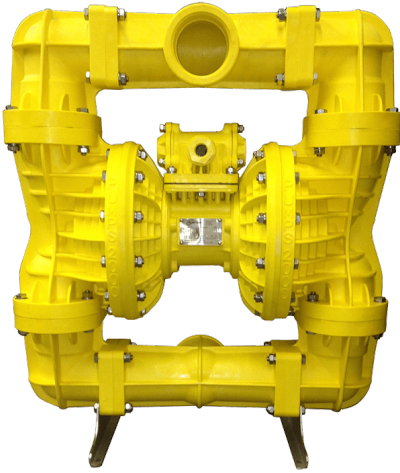
- > Patented design components
- > Simple design with fewer wear parts
- > Large particle handling
- > Low air consumption
- > Lightweight
- > Rugged & impact resistant
- > Lubrication free
- > No end of life – can always be repaired
- > ATEX M1 and M2 certified
- > Low noise levels

Benefits

- > Increased productivity
- > Reduced costs – pays for itself
- > Increased reliability & longer life
- > Less downtime & maintenance
- > Easier to diagnose & repair
- > Save on energy costs –
more air available for other equipment
- > Fewer injuries
- > No pollutants (oil free)
- > Safe for hazardous environments

Pumps 2000 Pneumatic Diaphragm Pump

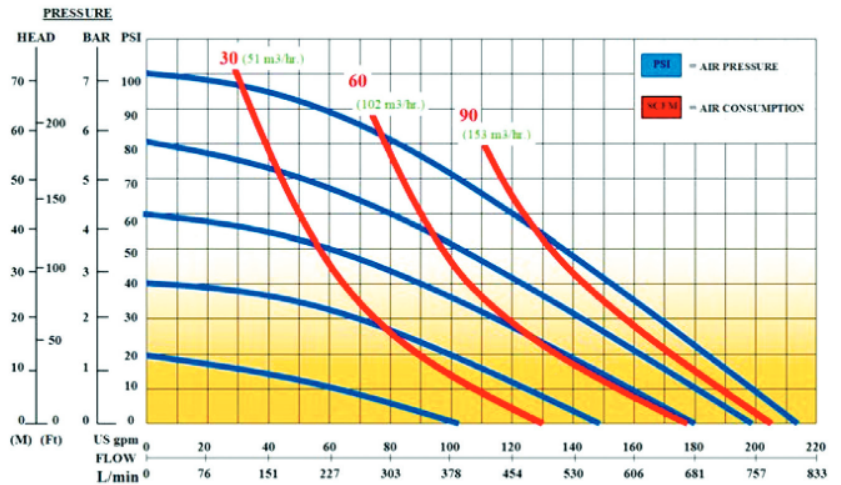
P75BY - 3" / 75mm Ball Valve



Ball Valve

"Pumps 2000" pneumatic diaphragm pumps were specifically designed for harsh mining duties to outperform and outlast the competition due to a number of patented design features. The light weight feature provides ease of mobility and reduces the risk of injury. Low air consumption and long lasting lubrication free parts means low cost running and reduced maintenance. ***Ideally suited for pumping applications in all industries.***

Performance Curve



AIR PRESSURE: Tested at 100 psi / 690 kPa
(not to exceed 125 psi / 861 kPa)

FLOW RATE: 0-213 gpm / 806 Lpm

FLUID CONNECTION: 3" / 75mm (Internal Thread)

AIR INLET PORT: 1/2" / 15mm (Internal Thread)

EXHAUST PORT: 3/4" / 19mm (Internal Thread)

DELIVERY PRESSURE: Tested to 87 psi / 600 kPa

SUCTION LIFT: Tested to 19' / 6m dry and 31' / 9m wet

SOLIDS HANDLING: .71" / 18mm

PUMP WEIGHT: Yellow Series – 65 lbs / 29kg
Red (FRAS) Series – 75 lbs / 34kg
Blue Series – 57 lbs / 26kg

Pumps 2000 (International)
6-12 Burreigh Street
Toronto 2283
N.S.W., Australia
Tel: +61 2 49599400
Fax: +61 2 49504927
info@pumps2000.com

Pumps 2000 (America)
1721 Main Street
Pittsburgh, PA 15215
Tel: 412.963.9200
1.800.245.6211
Fax: 412.963.9214
info@pumps2000america.com

Pumps 2000 (Europe)
Sunderland
Tyne & Wear, SR1 2NQ
United Kingdom
Tel: +44 (0) 191 5675488
Fax: +44 (0) 191 5678512
info@pumps2000europe.com

