

E3

3" METALLIC BOLTED



EXPERIENCE SUPERIOR PERFORMANCE

FLOW RATE FLEXIBILITY

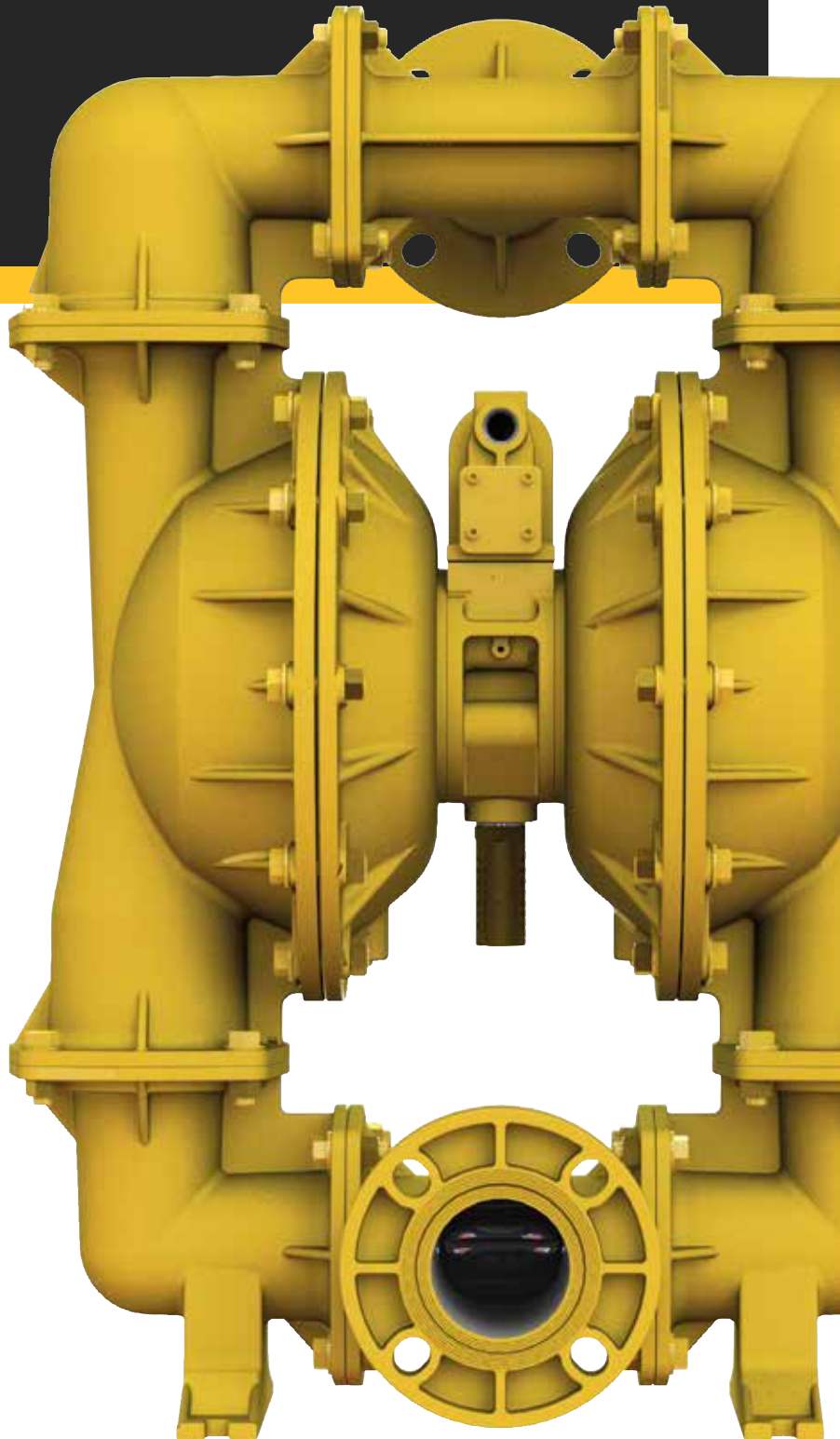
up to 273 gpm (1,033 lpm)

SOLIDS PASSAGE

0.375" (9.5mm)

LOW COST OF OWNERSHIP

Sizing a pump up from a 2" to a 3" saves on energy and reduces pump wear



VERSAMATIC[®]
PUMPING MADE EASY

VERSAMATIC.COM

E3 3" METALIC BOLTED ADVANTAGES



EXCLUSIVE ELIMAMATIC AIR VALVE SYSTEM

Exclusive Elimamatic Air Valve System Enhanced air valve system delivers consistent on/off/on reliability, while maintaining superior air efficiency.



SIMPLE, LOW COST MAINTENANCE

Replaceable air valve sleeve and repairable pilot spool design.



EXTENDED LIFE DIAPHRAGMS

Patented Versa-Dome diaphragms offer extended flex-life while still maintaining full flow. The flexible profile allows the diaphragms to roll making installation simple.

Versa-Rugged diaphragms are excellent with abrasive viscous liquids due to their oversized diaphragm plates. The oversized plates support and protect the diaphragms, leaving a smaller portion of the diaphragms exposed compared to many competitors.



CHEMICAL RESISTANCE

Replaceable air valve sleeve and repairable pilot spool design.



MULTIPLE CONNECTION AND PORTING TYPES

Robust ANSI/DIN flanges come standard. Aluminum flange unit's connections are adjustable to horizontal or vertical positions. Female NPT/BSP dimensional drop in manifold configurations are also available for installation flexibility and account conversion.



BOLTED CONSTRUCTION

Bolted construction provides enhanced sealing capabilities when pumping thin liquids.



LONG TERM RELIABILITY

Modular pilot assembly eliminates complexity, and ensures consistent performance after maintenance is performed.

ACCESSORIES / KITS



FILTER REGULATOR

Clean dry air for optimum performance and longevity. Automatic drain for maintenance free operation.



PULSATION DAMPENERS

Full line Versa-Surge pulsation dampeners for smooth discharge flow and to protect downstream process components.



PULSATION DAMPENERS

Save time and money with compete parts kits. Repair it once, repair it right.

INDUSTRIES & APPLICATIONS

CERAMIC

Filling Molds Slip
Glaze Transfer

CARPET & TEXTILES

Latex Ink &
Pigment Transfer

MINING

Dewatering

WASTE TREATMENT

Filter Press Feed

CHEMICAL

Product Transfer
Packaging Line Feed

OIL & GAS

Chemical Transfer
Driller Mud Makeup

PAINTS & COATINGS

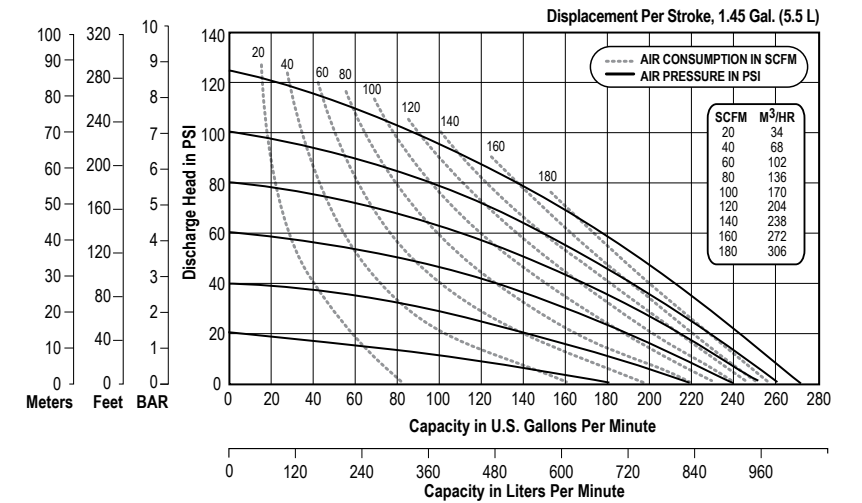
Latex Transfer
Packaging Line Feed

GENERAL INDUSTRY

Utility & Transfer

PULP & PAPER / CORRUGATOR

Pulp Starch Glue Transfer



E3 3" Aluminum or Stainless Bolted Pump – Metallic Center Elastomeric and TPE Fitted - Rugged

FLOW RATE

Adjustable to 0-273 gpm (1,033 lpm)

PORT SIZE

Suction 3" ANSI 150 lbs Class (DIN80)
Discharge 3" ANSI 150 lbs Class (DIN80)

AIR INLET

Aluminum Center 1/2" NPT (12.7mm)
Stainless Steel Center 3/4" NPT (19.05mm)

AIR EXHAUST

1" NPT

SUCTION LIFT

Dry 16' (4.9 m)
Wet 31' (9.4 m)

MAX SOLID SIZE (Diameter)

3/8" (9.5 mm)

MAX NOISE LEVEL

93 dB(A)

SHIPPING WEIGHTS

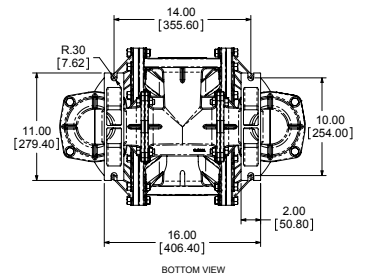
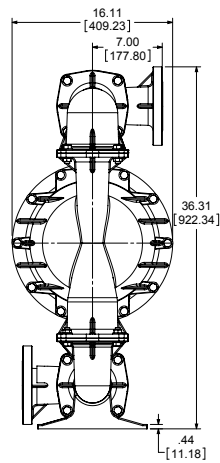
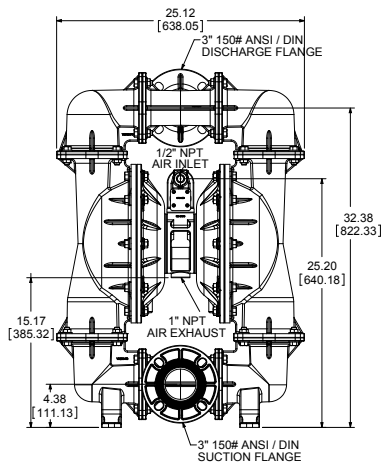
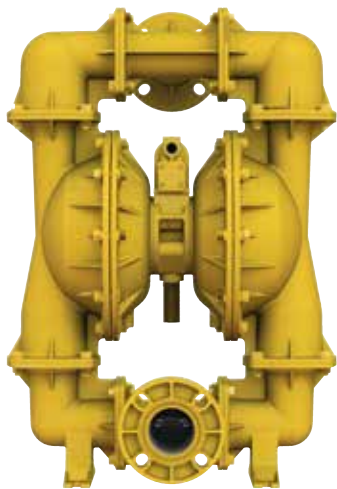
Stainless* 245 lbs (111.1 kg)
Aluminum 146 lbs. (66.2 kg)

*Stainless Center adds 50 lbs. (22.7 kg)

E3 ALUMINUM BOLTED

DIMENSIONAL DRAWINGS

Dimensions in Inches [mm] | Tolerance: ±1/8" [± 3mm]

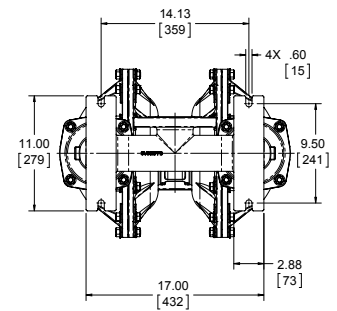
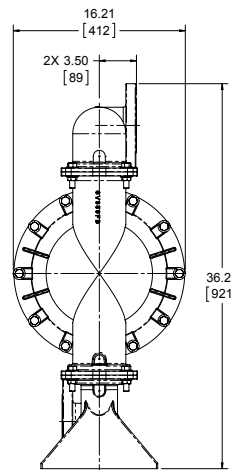
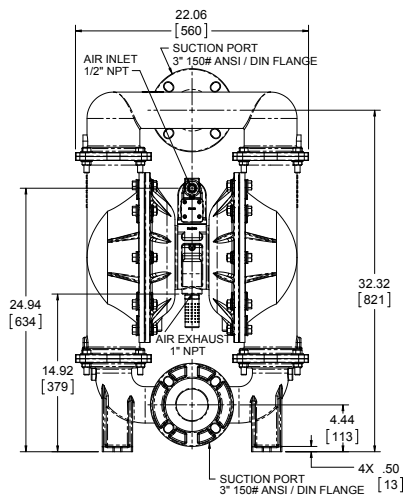


"Drop-In" version to replace clamp style units.

E3 STAINLESS STEEL BOLTED

DIMENSIONAL DRAWINGS

Dimensions in Inches [mm] | Tolerance: ±1/8" [± 3mm]



VERSAMATIC[®]



Warren Rupp, Inc. | A Unit of IDEX Corporation
800 North Main Street | Mansfield, OH 44902 USA
Phone: 419.526.7296 | Fax: 419.526.7289

VERSAMATIC.COM



VM_BRO_E3_Rev0819

©Copyright 2019 Warren Rupp, Inc. All Rights Reserved.