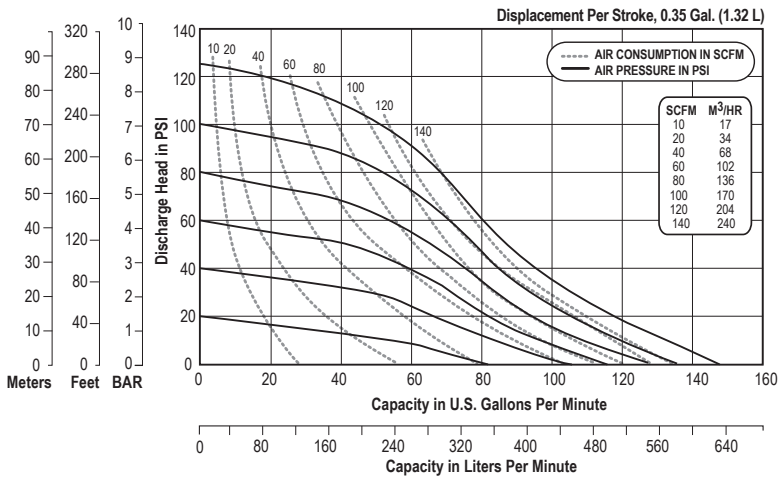


E2 DATA SHEET

SPECIFICATIONS & PERFORMANCE

2" 3-A Certified
with Metal Center Section

PERFORMANCE



NOTE: Performance based on the following: elastomeric fitted pump, flooded suction, water at ambient conditions. The use of other materials and varying hydraulic conditions may result in deviations in excess of 5%.

SPECIFICATIONS

Flow Rate

Adjustable to . . .0-147 gpm (556 lpm)

Port Size

Suction2" TRI-CLAMP

Discharge2" TRI-CLAMP

Air Inlet1/2" NPT

3/4" NPT (Stainless Steel Centers ONLY)

Air Exhaust1" NPT

Suction Lift

Dry9' (2.7 m)

Wet27' (8.2 m)

Max Solid Size (Diameter)

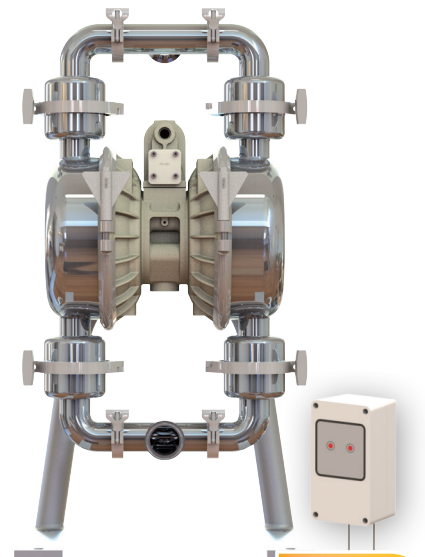
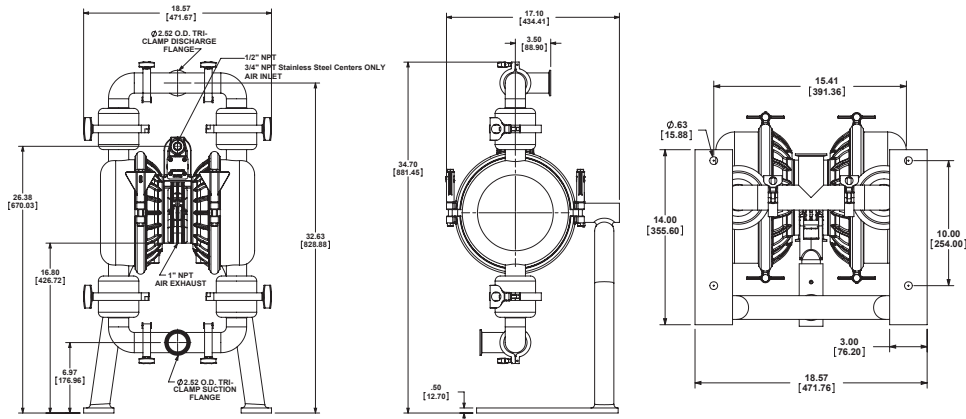
.5/8" (15.8 mm)

Max Noise Level 98 dB(A)

Shipping Weights

Stainless 125 lbs (56.7 kg)

DIMENSIONS



Versa-Sense II leak detection unit comes standard on all 3A pumps.



VERSAMATIC®

Warren Rupp, Inc. | A Unit of IDEX Corporation
800 North Main Street | Mansfield, OH 44902 USA
Phone: 419.526.7296 | Fax: 419.526.7289

VERSAMATIC.COM

e2mdlCds3A-rev0519

©Copyright 2019 Warren Rupp, Inc. All Rights Reserved.