

NEW PRODUCT

1 1/2" Metallic Bolted

E40



VERSA-MATIC® E40

Experience Superior Performance



NEW

Industry Leading:

- Flow rate
- Displacement
- Dry suction lift

Inter- changeable:

Dimensionally
interchangeable with
Wilden® 1 1/2" aluminum
bolted pumps



Features & Benefits

E40 1 1/2" Metallic Bolted



Exclusive Elima-Matic Air Valve System

Enhanced air valve system delivers consistent on/off/on reliability, while maintaining superior air efficiency



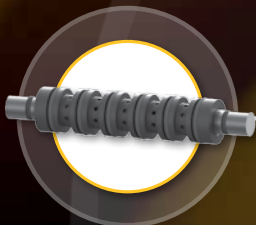
Simple, Low Cost Maintenance

Removable air valve sleeve and modular pilot spool design



Extended-life Diaphragms

Experience the value of patented Versa-Dome® or PTFE FUSION diaphragm technologies



Long Term Reliability

Modular pilot assembly eliminates complexity, and ensures consistent performance after maintenance is performed



Chemical Resistance

Optional stainless steel air sections for harsh environments



Leak-Free Design

Bolted construction provides enhanced sealing capabilities and reliability



Industry Leading Flow

Advanced flow through casting designs deliver flow rates up to 123 gpm (465 lpm)



Dimensional Interchangeability

Dimensionally interchangeable with Wilden® 1 1/2" aluminum bolted pumps

Accessories & Specifications

E40 1 1/2" Metallic Bolted

PC

Accessories / Kits:



Filter / Regulator
020.V104.000

1/2" with liquid filled pressure gauge. Clean, regulated air is the key to trouble free pump operation.

We recommend the use of a Filter/Regulator with every pump.



ANSI Flange Kit
475.V014.000

Stainless steel. Factory Installed: E40xxxxx9C-A (ANSI) pump



Parts Kits

Save time and money with complete repair kits.

Air Side:
476.V019.000

Wet Side:
476.V026.365 (N)
476.V026.360 (BN)
476.V026.363 (VT)
476.V026.364 (ND)
476.V026.600 (TF)
476.V026.354 (XL-Santo.)

Performance:

E40 1 1/2" Bolted Pump - Metallic Center

Flow Rate

Elastomeric 0-123 gpm (465 lpm)
PTFE 0-103 gpm (389.9 lpm)

Port Size

Suction 1 1/2" NPT (BSP)
Discharge 1 1/2" NPT (BSP)

Air Inlet 1/2" NPT

Air Exhaust 1" NPT

Suction Lift

Dry (Elastomeric) 19' (5.8 m)
Dry (PTFE) 12' (3.7 m)
Wet (Elastomeric) 31' (9.4 m)
Wet (PTFE) 29' (8.8 m)

Max Solid Size (Diameter) 1/4" (6 mm)

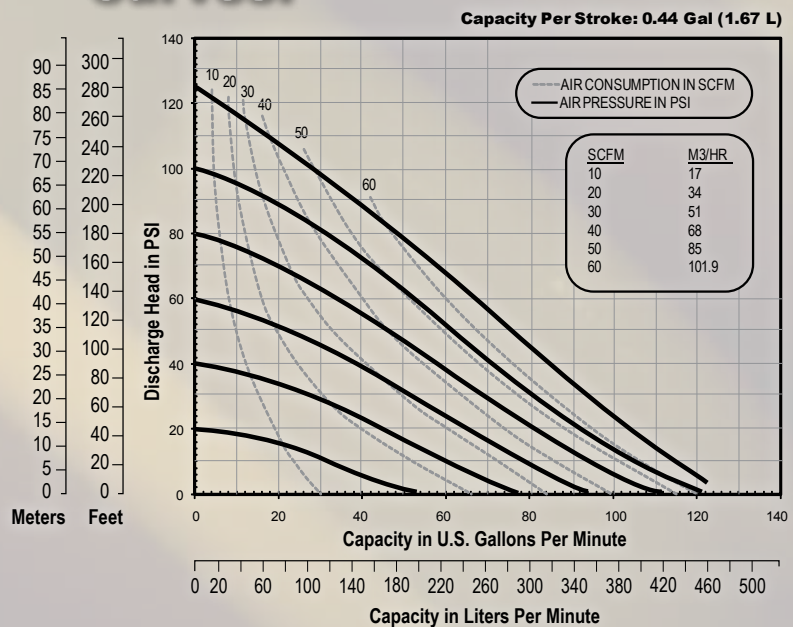
Max Noise Level 101 dB(A)

Shipping Weights

Aluminum 55 lbs (25 kg)
Cast Iron 95 lbs (43 kg)
Stainless Steel 92 lbs (42 kg)

*w/ Stainless Center add 21 lbs (9.5 kg)

Curves:

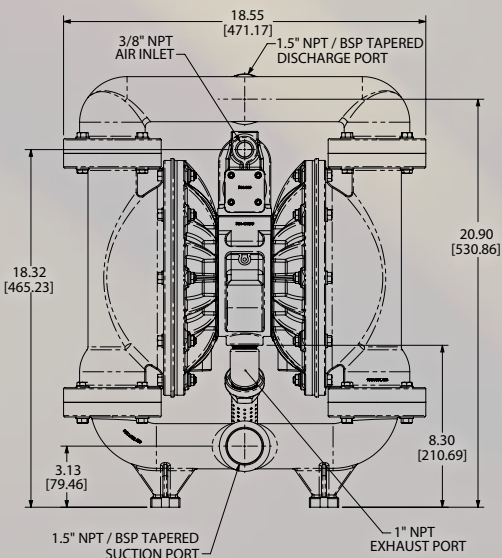
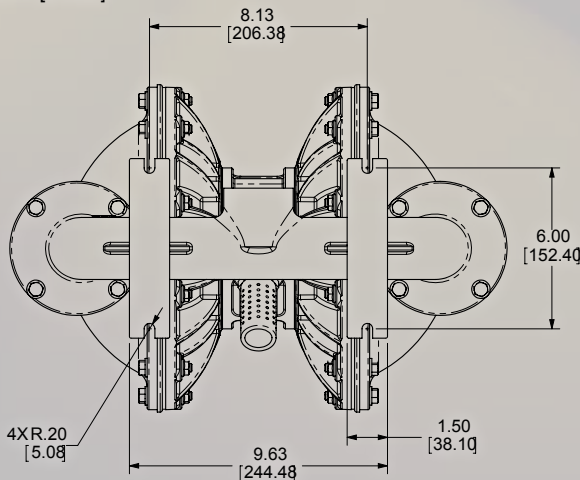


NOTE: Performance based on the following: elastomeric fitted pump, flooded suction, water at ambient conditions. The use of other materials and varying hydraulic conditions may result in deviations in excess of 5%.

Dimensional Drawings:

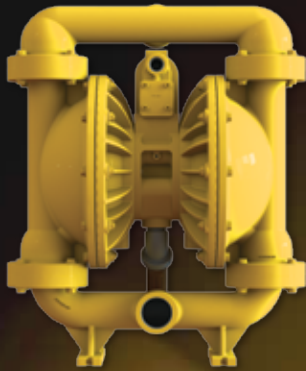
Dimensions in Inches [mm]

Tolerance: ±1/8" [± 3mm]





VERSA-MATIC® vs. Competition



E40 is the performance leader in:

- Flow rate
- Displacement per cycle
- Dry suction lift

Greater flow rates offer enhanced flexibility. Superior displacement per cycle reduces pump wear by reducing strokes and increases air efficiency leading to a lower overall cost of ownership.

	Versa-Matic® E40	Wilden® PX400	Yamada® NDP40	ARO® PX15	Graco® 1590
Max Flow Rate gpm (lpm)	123 (465)	106 (401)*	107 (405)	123 (465)	100 (379)
Displacement Per Cycle gallon (liter)	0.88 (3.34)	0.42 (1.58)*	0.73 (2.69)	0.617 (2.34)	0.50 (1.96)
Suction Lift feet (meter)	19' (5.8)	13.6' (4.14)*	18' (5.49)	14' (4.2)	18' (5.48)

Note: all information above was derived from published product information for aluminum / rubber fitted pump units.
* Wilden® PX400 fitted with Ultra-Flex™ rubber diaphragms.

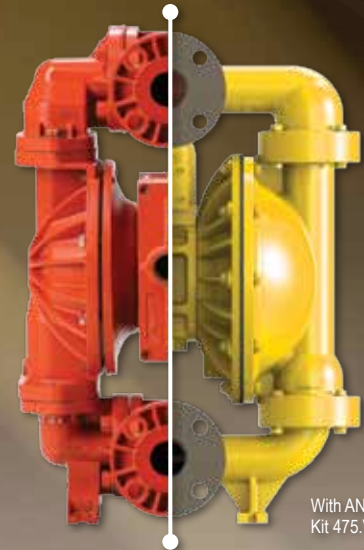
Dimensional Interchangeability

The Versa-Matic E40 1½" aluminum pump is specifically designed to be a simple drop-in (footprint & centerline) for installed Wilden® 1½" aluminum bolted units in the field.

Wilden®
1½" ALUMINUM
BOLTED



VERSA-MATIC®
E40 1½" ALUMINUM
BOLTED



With ANSI Flange
Kit 475.V014.000

Wilden is a registered trade name of the Wilden Pump and engineering company, a Dover Resources Company. • ARO is a registered trade name of Ingersoll Rand, Inc.
• Yamada is a registered trade name of Yamada America, Inc. • Graco is a registered trade name of Graco, Inc.



VERSA-MATIC®
Warren Rupp, Inc.
A Unit of IDEX Corporation
800 North Main Street
Mansfield, OH 44902 USA

Phone: 419.526.7296
Fax: 419.526.7289
www.versamatic.com



Distributed By:

©Copyright 2012 Warren Rupp, Inc. All Rights Reserved.

VM E40bro-rev1212