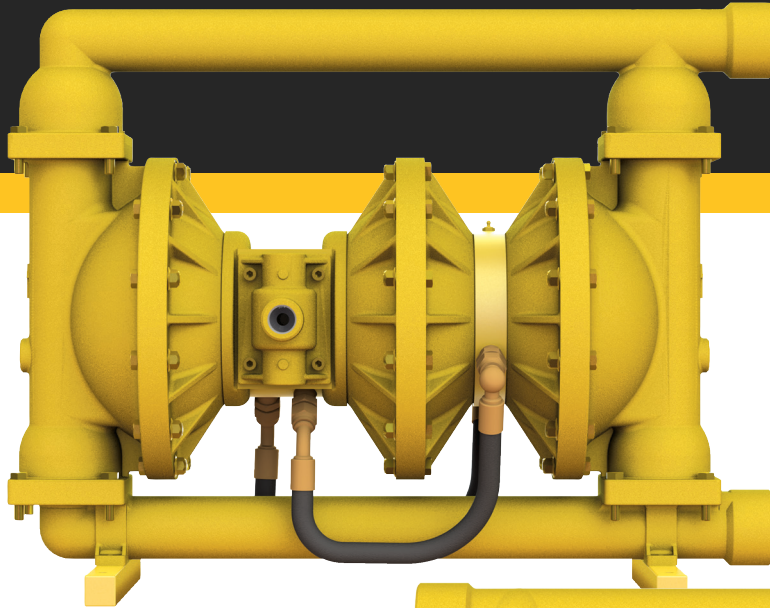
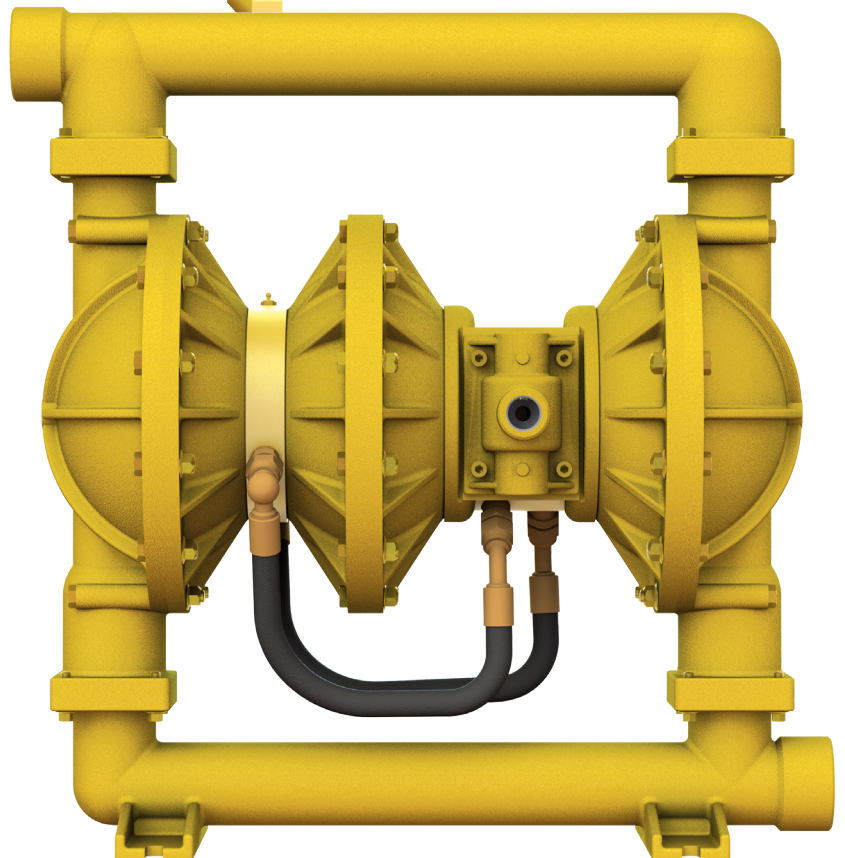


N25 1" & N50 2"

FULL FLOW HIGH PRESSURE PUMPS



- FILTER PRESS FEED
- MINE DEWATERING
- SLURRY TRANSFER
- HIGH PRESSURE DISCHARGE
- CERAMIC SLIP & GLAZE SPRAYING / TRANSFER
- PAINTS & COATING - LONG RUN SOLVENT TRANSFER & MULTIPLE DISCHARGE LOCATIONS
- AUTOMOTIVE - VISCOUS LUBRICANT TRANSFER
- OIL & GAS - CHEMICAL INJECTION INTO PRESSURIZED LINES



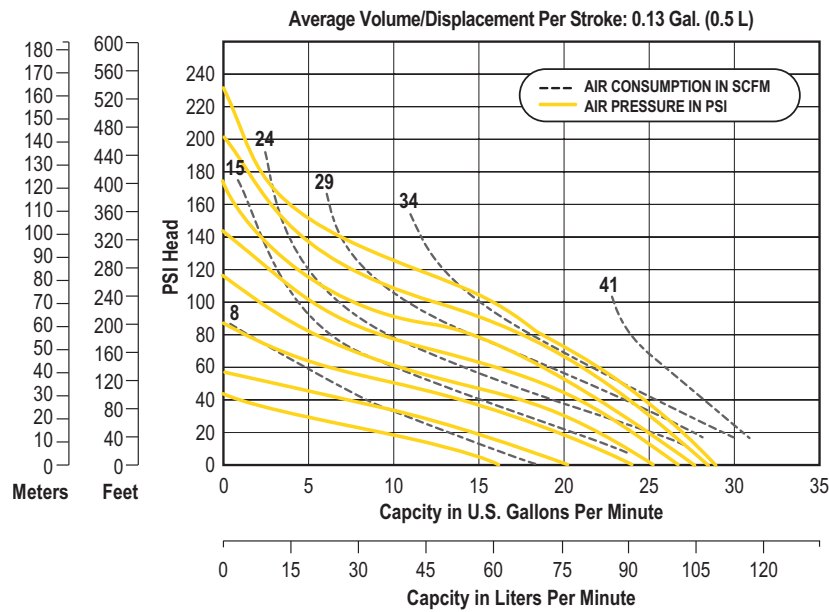
VERSAMATIC[®]
PUMPING MADE EASY

VERSAMATIC.COM

N25 1" (25 MM) FULL FLOW

- Discharge pressures up to 232 PSI (16 Bar)
- Broadest array of sizes and material options in its class
- Full Flow design reduces pulsation and increases productivity and flow rate flexibility
- Can start at zero head with no issues, eliminating the need for an addition fill pump
- Rugged leak free bolted design
- Comes standard with a robust stainless steel air valve

PERFORMANCE



FLOW RATE

Adjustable to 0-33 gpm (0-125 lpm)

PORT SIZE

Inlet and Outlet 1" NPTF

AIR INLET 0.50" NPTF
AIR EXHAUST 0.375" BSP

SUCTION LIFT

Dry 20' (6.0 m)
Wet 25' (7.6 m)

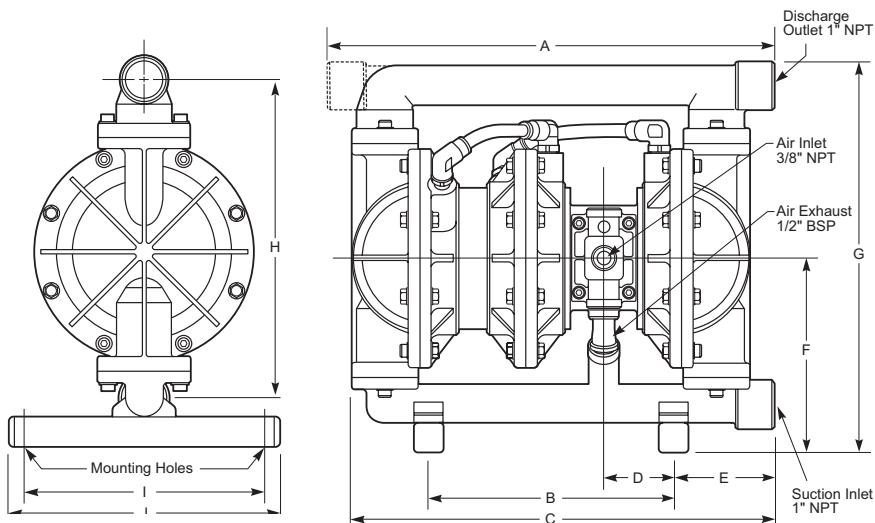
MAX. PARTICLE SIZE

Diameter 0.125" (3mm)

SHIPPING WEIGHT

Aluminum 88 lbs (40 kg)
Stainless Steel 110 lbs (50 kg)

DIMENSIONS

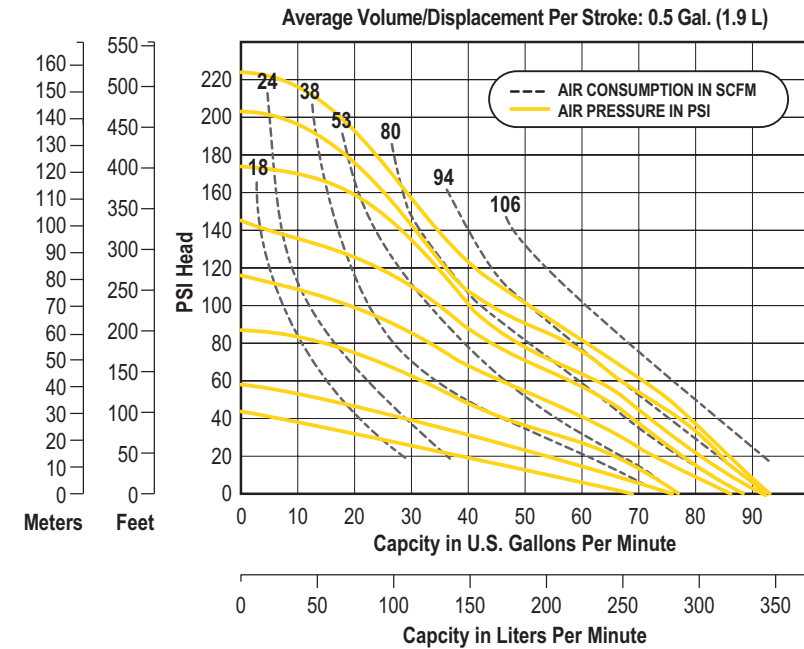


Item	Inches	Metric	Item	Inches	Metric
A	18.27	464	F	7.95	202
B	10.04	255	G	15.94	405
C	17.24	438	H	12.99	330
D	2.87	73	I	9.84	250
E	4.13	105	J	11.02	280

N50 2" FULL FLOW

- Pressures up to 232 PSI (16 Bar)
- Broadest array of sizes and material options in its class
- Full Flow design reduces pulsation and increases productivity and flow rate flexibility
- Can start at zero head with no issues, eliminating the need for an addition fill pump
- Rugged leak free bolted design
- Comes standard with a robust stainless steel air valve
- Can be fitted with a wide array of elastomer's such as: Nitrile, EPDM, Hytrel, Neoprene, Santoprene, PTFE, and FKM (Viton)

PERFORMANCE



FLOW RATE

Adjustable to 0-92 gpm (0-350 lpm)

PORT SIZE

Inlet and Outlet 2" NPTF

AIR INLET 0.75" NPTF
AIR EXHAUST 0.75" BSP

SUCTION LIFT

Dry 20' (6.0 m)
Wet 25' (7.6 m)

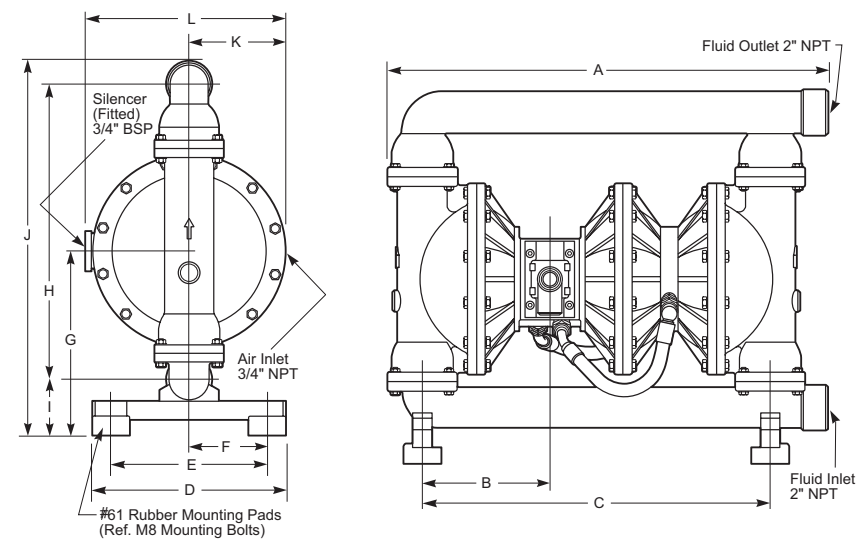
MAX. PARTICLE SIZE

Diameter 0.25" (6mm)

SHIPPING WEIGHT

Aluminum 147 lbs (66.5 kg)
Stainless Steel 165 lbs (75 kg)

DIMENSIONS



Item	Inches	Metric	Item	Inches	Metric
A	28.70	729	G	12.05	306
B	8.35	212	H	19.29	490
C	22.72	577	I	3.66	93
D	12.60	320	J	24.41	620
E	10.24	260	K	6.30	160
F	5.12	130	L	13.07	332

WHEN THE PRESSURE IS ON, TURN TO OUR HIGH-PRESSURE PUMPS

When you're pumping in a pressurized situation, you need more power than a standard air-operated double diaphragm pump can deliver. That's where the Versamatic line of high-pressure pumps takes over. Providing pressures of up to 232 PSI (16 Bar), our pumps can tackle any application, including filter press feeds, mine dewatering, slurry transfer and high-pressure discharge.

We've assembled the most complete line of high-pressure pumps in the industry. We provide you more options in terms of size, pressure, flow rates, materials of construction and functionality.

No matter which pump fits your need, you'll enjoy an unsurpassed level of reliability. Our pumps feature innovative air-valve systems that eliminate stalling, icing, and and costly air leakage and help extend the life of your pump.

THE RIGHT PUMP FOR THE RIGHT FLOW

Maximum Flow in Gallons Per Minute (lpm)

N25 33 (125)

N50 92 (350)

HIGH PRESSURE PUMP ACCESSORIES



LIQUID LEVEL CONTROL

Versamatic's float actuated Liquid Level Control unit automatically opens and closes air supply to your pump.



MUFFLERS

Effective sound dampening for Versa-Matic pumps. Mufflers are a rugged Polymer or metallic housing. Sound dampening and encapsulated mufflers have replaceable acoustic composite inserts. Versa-Matic pumps are supplied with a basic muffler. Meets OSHA dBA requirements.



FILTER/REGULATOR

Optimize pump performance and reduce maintenance costs. Filters particles and water out of the compressed air inlet, and controls air pressure. Filter and regulator available as sets or individually.



Warren Rupp, Inc. | A Unit of IDEX Corporation
800 North Main Street | Mansfield, OH 44902 USA
Phone: 419.526.7296 | Fax: 419.526.7289

VERSAMATIC.COM



VM_BRO_HighPressurePumps_Rev1019

©Copyright 2019 Warren Rupp, Inc. All Rights Reserved.