



MOBILEDOS

Portable dosing station

General

Dosing is precision work and one of the main tasks in chemical and process engineering as well as water treatment. DIGITAL DOSING™ pumps are delivering an optimal performance in these application fields.

The selection of a dosing pump and the suitable accessories requires systematic and well-conceived adjustment to all process parameters.

MobileDos is a portable dosing station that can be positioned on the floor or installed on a pedestal easily. MobileDos is preassembled, compact and ready for connection to 5-30 litre containers.

Components and characteristics

The MobileDos portable dosing station has a collecting tray made of black PE. The pumps, pressure loading valves and pressure relief valves are installed in a separate area with a separate collecting tray. The dosing pump can be selected from the DIGITAL DOSING™ ranges DDA, DDC and DDE. All dosing pumps of these ranges are user-friendly and easy to calibrate. A combination of a DDA pump and a MobileDos with lip valve injection unit is ideal for degassing media such as chlorine bleaching. Integrated pressure loading valves and pressure relief valves protect the system from inadmissibly high pressures and provide a high level of dosing accuracy. In order to minimise the installation effort, the injection unit is preassembled to the discharge line. The rigid suction lance for 30-litre containers has a low-level and empty signal for indication of lack of medium. 5 metres of control cable for contact input and analog input as well as remote On/Off complete the MobileDos.

The dosing pump is ready for a variety of operation modes, depending on the pump type:

- Manual dosing (all models)
- Dosing in proportion to the flow via pulse input (DDE-P, DDE-PR, DDC, DDA)
- Dosing according to analog signals (DDC, DDA)

- Batch dosing, pulse-based or timer-based (DDA)
- External stop (DDE-P, DDE-PR, DDC, DDA)

Outputs for alarm or warning as well as analog output are available, depending on the pump version selected.

Scope of delivery / components

- Black system rack, PE, for one jerrycan of up to 30 l
- Suction lance, PE, 500 mm, with low-level and empty-tank indication
- Adaptor DIN 61 (EN 12713) for jerricans of up to 30 l.
- Click-stop plate for installation of a Smart Digital dosing pump
- Pressure relief valve, 10 bar (adjustable from 5 to 11 bar)
- Pressure loading valve, 3 bar (adjustable from 1.5 to 5bar)
- Control cable, 5 m, for contact input and analog input as well as remote On/Off
- Discharge line, PE, 4/6 mm, 6 m
- Injection unit G 1/2, 100 mm immersion depth (can be shortened), or injection unit G 1/2 with lip valve for chlorine bleaching, 55 mm immersion depth

Optional accessories

- Signal cable for stroke signal, pulse signal, low-level signal or error signal (5 m length)
- Signal cable for 4-20 mA signal output (5 m length)

Applications

- Dosing of chlorine bleaching
- Dosing of lyes and acids
- Dosing of coagulants
- Dosing of cleaning agents and disinfectants
- Dosing of biocides and inhibitors

Product selection

Version	Applications	Max. counter-pressure [bar]	Max. dosing flow [l/h]	Suitable pump types*	Product number pump	Product number MobileDos
MobileDos PVC/V/C	- Acids for pH correction - Brines - Coagulants - Cleaning agents - Disinfectants - Biocides - Inhibitors	10	6	DDE 6-10 P	97720961	98394051
				DDE 6-10 PR	98147272	
			7.5	DDA 7.5-16 AR	97721950	
				DDA 7.5-16 FCM	97722018	
MobileDos PVC/V/C, injection unit with lip valve	Sodium hypochlorite	10	6	DDE 6-10 P	97720961	98394054
				DDE 6-10 PR	98147272	
			7.5	DDA 7.5-16 AR	97721950	
				DDA 7.5-16 FCM	97722018	
MobileDos PVC/E/C	- Acids for pH correction - Brines - Coagulants - Inhibitors	10	6	DDE 6-10 P	97720957	98394052
				DDE 6-10 PR	98147268	
			7.5	DDA 7.5-16 AR	97721946	
				DDA 7.5-16 FCM	97722014	

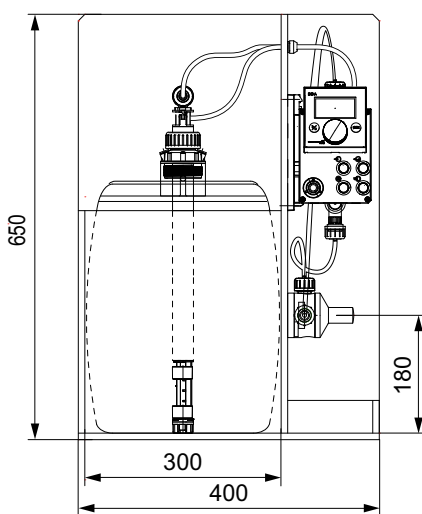
* For further information on the pumps please see the SMART Digital data booklet. Other pump types are possible.

Water meter as a signal source for dosing in proportion to the flow

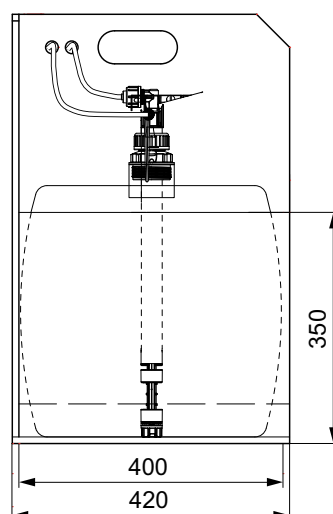
In-line water meter with potential-free pulse output and 3 m of cable

Qn	Maximum flow (short-term)	Minimum flow with error +/- 5%	Minimum flow with error +/- 2%	Maximum water temperature	Port-to-port length*	Connection*	Pulse rate	Product number
[m ³ /h]	[m ³ /h]	[l/h]	[l/h]	[°C]	[mm]		[l/pulse]	
1.5	3	50	120	30	165 / 245	G 3/4 / G1/2	1	96446846
							0.25	96482640
2.5	5	70	200	30	190 / 288	G 1 / G 3/4	2.5	96446847
							0.25	96482641
15	30	450	3000	50	300 / 438	G 2 1/2 / G 2	10	96446848
				30			96482642	

* Left: direct connection. Right: connection with adaptor.



MobileDos, front view



MobileDos, lateral view



Water meter